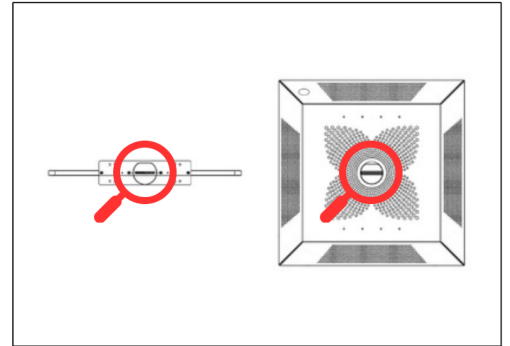
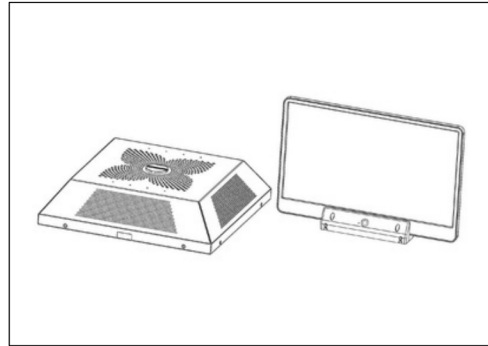


## IP SPEAKER

### Installation - OBDSCD Dual Display

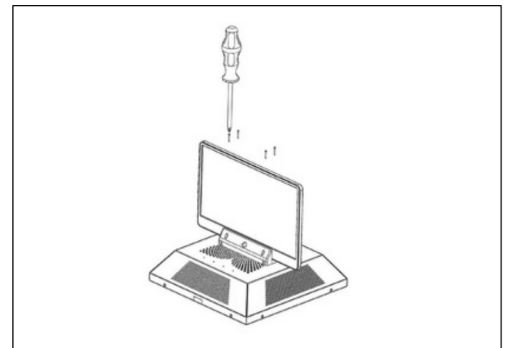
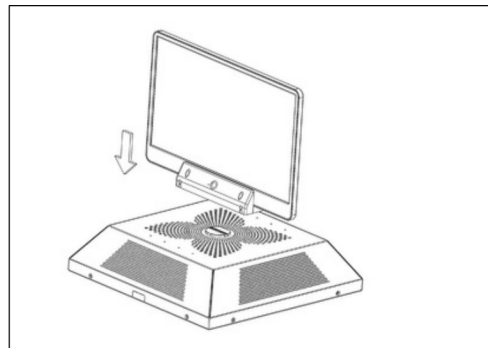
#### Step 1

Ensure a secure display installation by carefully positioning the display onto the speaker and aligning it precisely with the designated connector on the speaker. Ensure a snug fit without any loose movement.



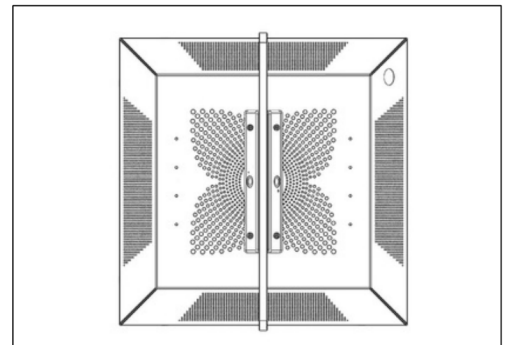
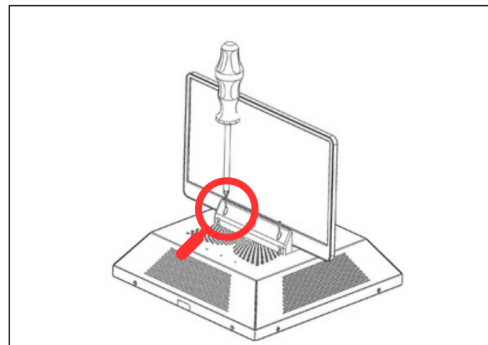
#### Step 2

Attach the display firmly to the speaker using the provided screws. Employ the extended screwdriver to fasten the four screws into the pre-drilled holes on the display neck, guaranteeing a stable and reliable connection.



#### Note

Before mounting the speaker on the ceiling, power on the device and verify that both screens function correctly. If one or both screens do not activate, carefully unscrew the display from the speaker and inspect the connections. Repeat the mounting process to reattach the display, ensuring all connections are secure before retesting the screens.

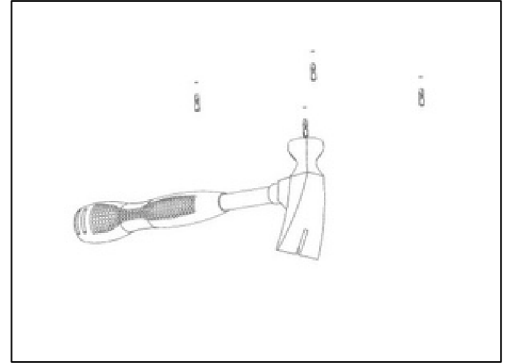
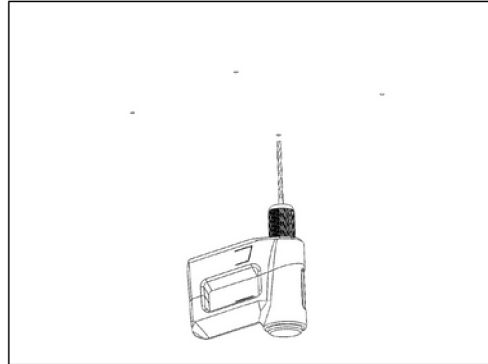


## IP SPEAKER

### Installation - OBDS-CD

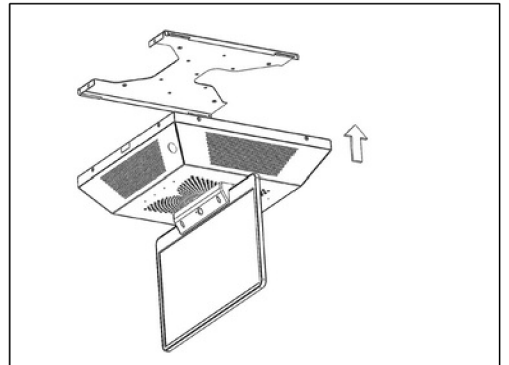
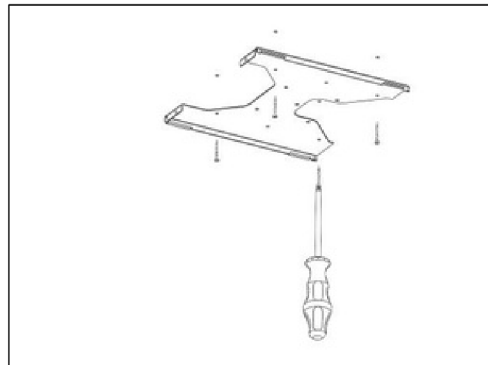
#### Step 1

Install the bracket securely onto the ceiling, employing the designated template. Depending on the installation location of the IP Speaker, select either the 100x100 or 200x200 VESA mounting standard.



#### Step 2

Thread the PoE (60W) cable through the designated aperture of the mounting bracket, ensuring a secure and stable connection, and insert it into the appropriate ethernet port of the speaker. Place the speaker onto the mounting plate, sliding it gently to the side, ensuring that it firmly and precisely settles into the correct position on the mounting bracket with no risk of dislodgement.



#### Step 3

Securely affix the device to the mounting plate using the included screws fastening it along three sides for enhanced stability.

